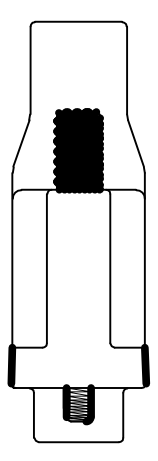
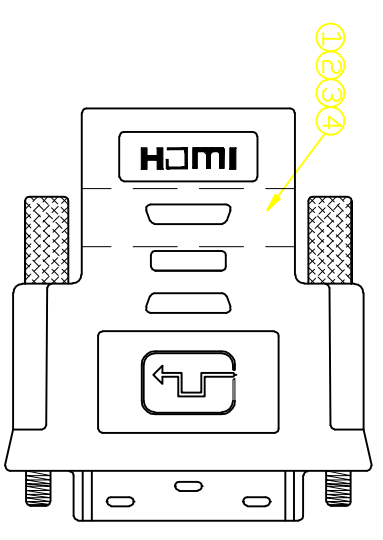
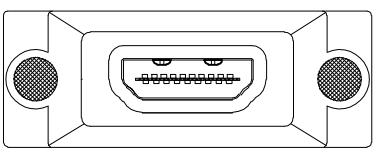
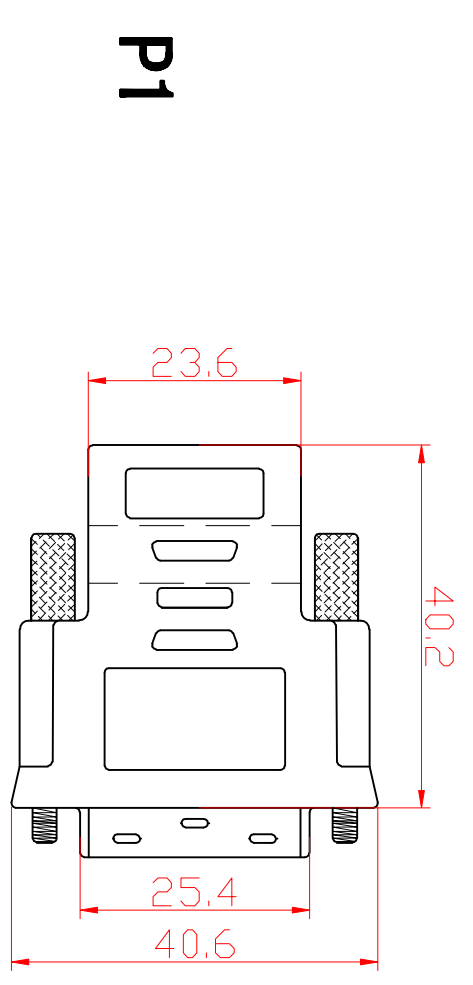
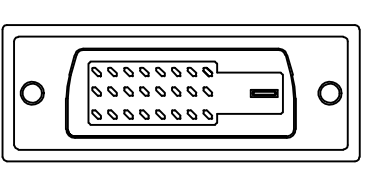


RevNo	Revision note	Date	Signature	Checked
-------	---------------	------	-----------	---------



P2



PIN OUT

P1	1	_____	P2	2	_____
	2	_____		3	_____
	3	_____		1	_____
	4	_____		10	_____
	5	_____		11	_____
	6	_____		9	_____
	7	_____		18	_____
	8	_____		19	_____
	9	_____		17	_____
	10	_____		23	_____
	11	_____		22	_____
	12	_____		24	_____
	15	_____		6	_____
	16	_____		7	_____
	17	_____		15	_____
	18	_____		14	_____
	19	_____		16	_____
	Shell	_____		Shell	_____

④	OUTER MOLDED	BLACK 45P PVC	0.042	KG
③	INTER MOLDED	LDPE	0.021	KG
②	CONNECTOR	HDMI A TYPE FEMALE,GOLD PLATEDE PIN,THE SHELL FOR GOLD PLATING	1	PCS
①	CONNECTOR	DVI 24+1 MALE,GOLD PLATEDE PIN,THE SHELL FOR GOLD PLATING	1	PCS
NO.	MATERIAL	DESCRIPTIONG	QTY.	UNIT

Itemref	Quantity	Title/Name,designation,material,dimension etc		Article No./Reference	
Designed by	Checked by	Approved by - date	File name	Date	Scale
ANGLE:	UNIT:MM	SEP 13.2013	HDMI-DVI ADAPTER	SEP 13.2013	FREE
HDMI AF-DVI24+1/M adapter,			HDMI-F-DVI/M	Edition	Sheet
			1	1/1	

