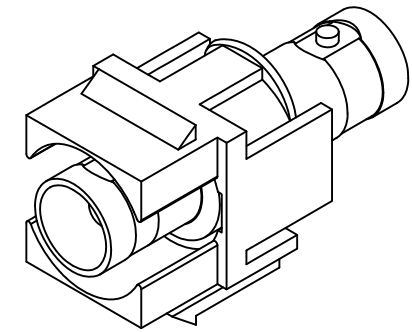
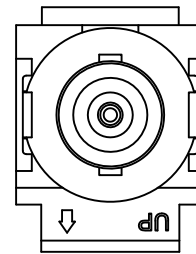
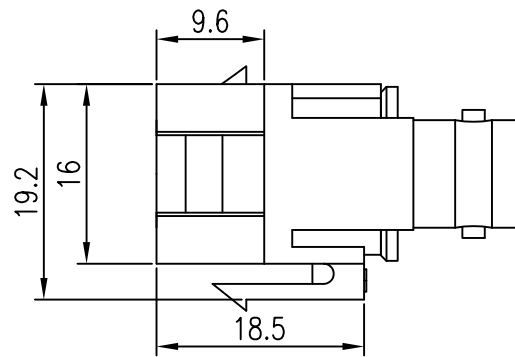
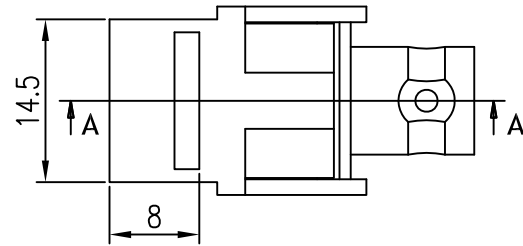
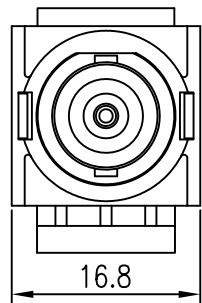


SECTION A-A



**MATERIAL**  
 Housing: High-impact Acrylonitrile Butadiene Styrene (ABS resin),  
 UL 94 V-0 rated

BNC Connector  
 Body: Brass, plated with 1.77  $\mu\text{m}$  (70  $\mu\text{in}$ ) thick nickel  
 Insulator: Derlin, White  
 Contact Pin: Brass, plated with 0.07  $\mu\text{m}$  (3  $\mu\text{in}$ ) thick hard gold  
 over 1.77  $\mu\text{m}$  (70  $\mu\text{in}$ ) thick nickel underplate  
 Lock Ring: Brass, plated with 1.77  $\mu\text{m}$  (70  $\mu\text{in}$ ) thick nickel  
 RoHS compliant

| P / N      | COLOR |
|------------|-------|
| HCIFP-30   | WHITE |
| HCIFP-30BK | BLACK |

SUGGESTED CUTOUT: FLUSH-MOUNT APPLICATION

METAL

PLASTIC

|                         |           |           |           |       |  |
|-------------------------|-----------|-----------|-----------|-------|--|
| DRAWN BY<br>Ethan Wu    |           |           |           |       |  |
| APPROVED BY<br>Jerry Su |           |           |           |       |  |
| DIMENSIONS ARE MM [IN]  |           |           |           |       |  |
| TOLERANCES:             |           |           |           |       |  |
| ~20                     | ~50       | ~150      | 150~      | ANGLE |  |
| $\pm 0.2$               | $\pm 0.4$ | $\pm 0.5$ | $\pm 1.5$ | 2'    |  |
| 3rd Angle Projection    |           |           |           |       |  |

|  |            |              |
|--|------------|--------------|
| <b>CC</b>                                  |            |              |
| TITLE<br>OUTLETS, FACEPLATES & ACCESSORIES |            |              |
| DWG. NO.<br>HCIFP-30 & HCIFP-30BK          | REV.<br>1  |              |
| CUSTOMER PARTS NO.                         |            |              |
| DATE<br>2012.02.01                         | SCALE<br>X | SHEET<br>1/1 |