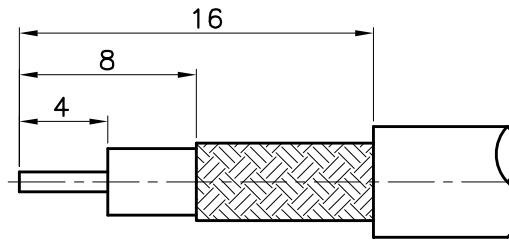
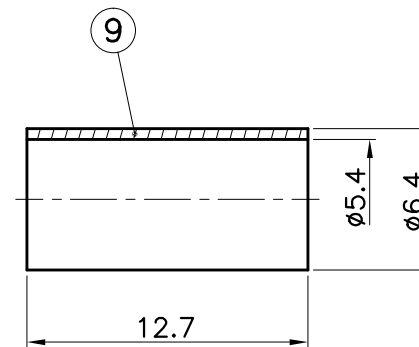
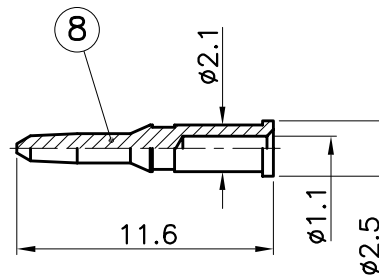
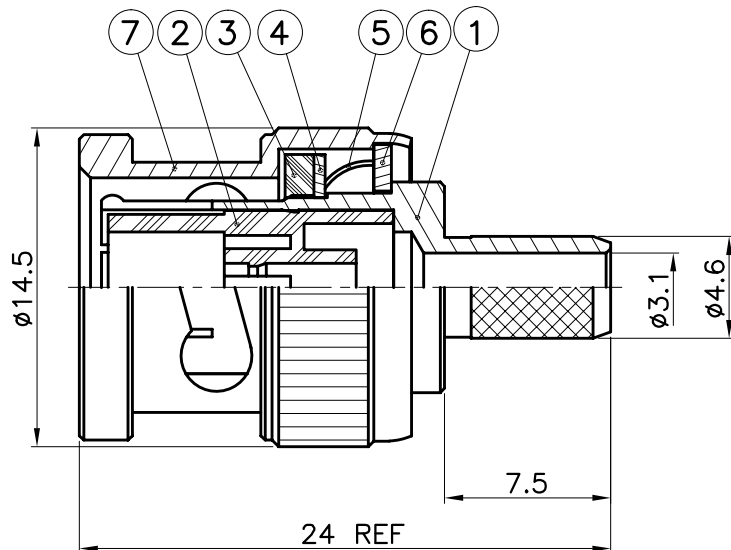


REVISIONS	
ISS	DESCRIPTION \ DATE

RoHS COMPLIANT



RECOMMENDED
CABLE STRIPPING DIM'S



1. CRIMPED FERRULE
HEX CRIMP SIZE .213"
2. CRIMPED CONTACT PIN
HEX CRIMP SIZE .068"

TITLE: BNC MALE CRIMP (FOR RG58)	APRD:	UNLESS OTHERWISE SPECIFIED TOLERANCES 0.5-6 = ±0.2 >6-30 = ±0.4 >30-120 = ±0.6 >120-315 = ±1 >315-1000 = ±1.6 ANGLES = ±5°	9 FERRULE	BRASS	NICKEL	KA/2005/10527 \ KA/2005/60362
	CHKD:		8 CONTACT PIN	BRASS	GOLD	KA/2005/10527 \ KA/2005/30993
	DR:		7 SHELL	BRASS	NICKEL	KA/2005/10527 \ KA/2005/60362
PART NO: BNC2-58	DATE: 06/18/08"	UNIT: mm	6 WASHER	STEEL	NICKEL	KA/2005/10523 \ KA/2005/60362
DR. NO: 50013-004(B002B058-96-100)	SHEET: .	SCALE: 3/1	5 SPRING	SK-5	NICKEL	KA/2005/10524 \ KA/2005/60362
			4 C WASHER	STEEL	NICKEL	KA/2005/10523 \ KA/2005/60362
			3 GASKET	PVC	RED	KA/2005/10533
			2 INSULATOR	DELIN	WHITE	KA/2005/10531
			1 BODY	BRASS	NICKEL	KA/2005/10527 \ KA/2005/60362
			NO. DESCRIPTION	MATERIAL	FINISH	SGS REPORT NO