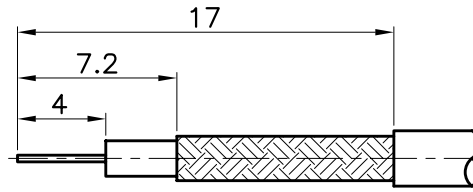
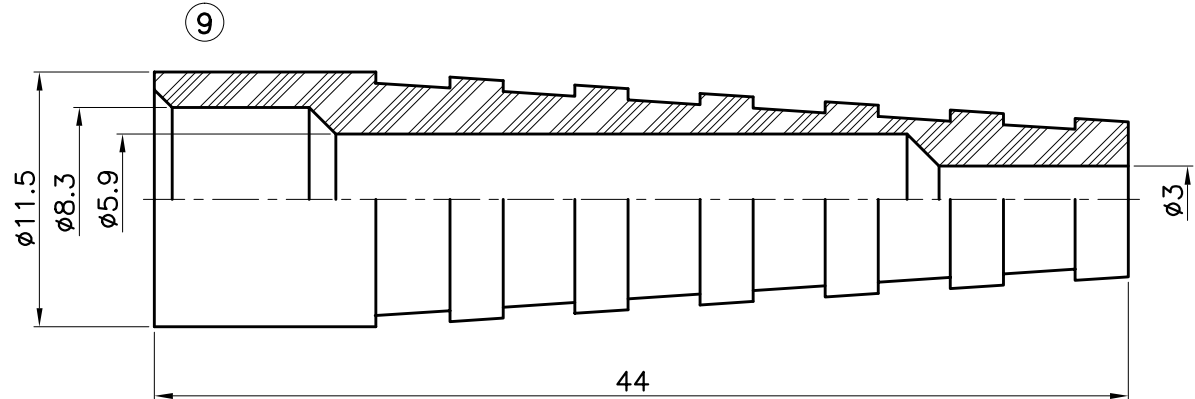
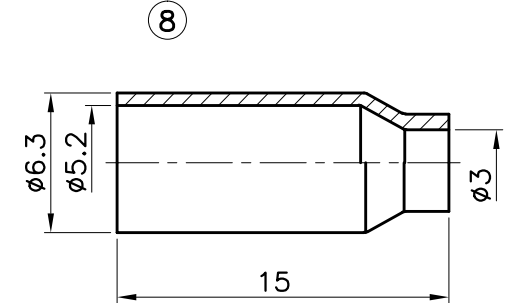
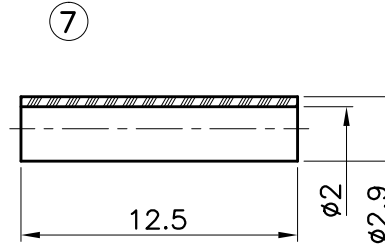
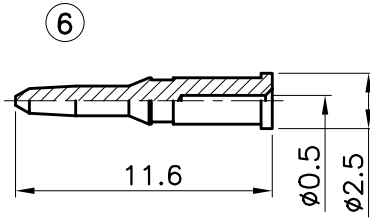
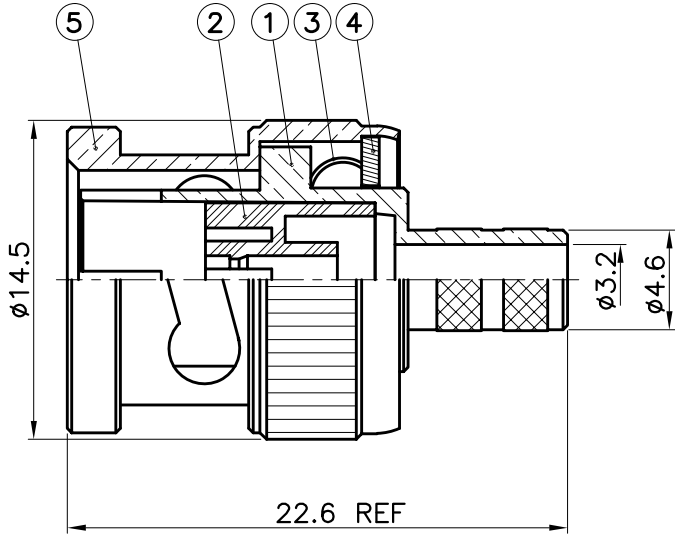


REVISIONS	
ISS	DESCRIPTION \ DATE

RoHS COMPLIANT



RECOMMENDED
CABLE STRIPPING DIM'S



1. CRIMPED FERRULE
HEX CRIMP SIZE .213"
2. CRIMPED CONTACT PIN
HEX CRIMP SIZE .068"

TITLE: BNC MALE CRIMP (75 ohms)
(FOR RG179/U)

PART NO: BNC1-179D-BT

DR. NO: 50013-616-A1(B002D179-96-75+BTBC0174)

APRD:
CHKD:
DR:

UNLESS OTHERWISE
SPECIFIED TOLERANCES
0.5-6 = ±0.2
>6-30 = ±0.4
>30-120 = ±0.6
>120-315 = ±1
>315-1000 = ±1.6
ANGLES = ±5°

DATE: 03/06/12"

SHEET: .

UNIT: mm

SCALE: 3/1

9	BOOT	PVC	BLACK
8	FERRULE	BRASS	NICKEL
7	SPACER	DELTRIN	WHITE
6	CONTACT PIN	BRASS	GOLD
5	SHELL	ZINC ALLOY	NICKEL
4	WASHER	STEEL	NICKEL
3	SPRING	SK-5	NICKEL
2	INSULATOR	DELTRIN	WHITE
1	BODY	ZINC ALLOY	NICKEL
NO.	DESCRIPTION	MATERIAL	FINISH