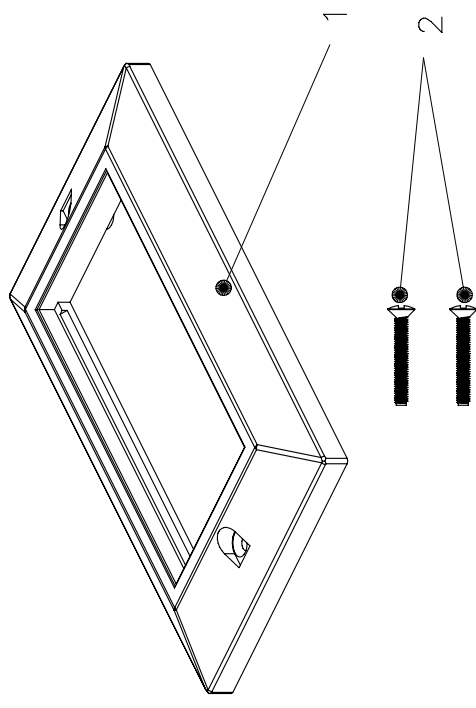
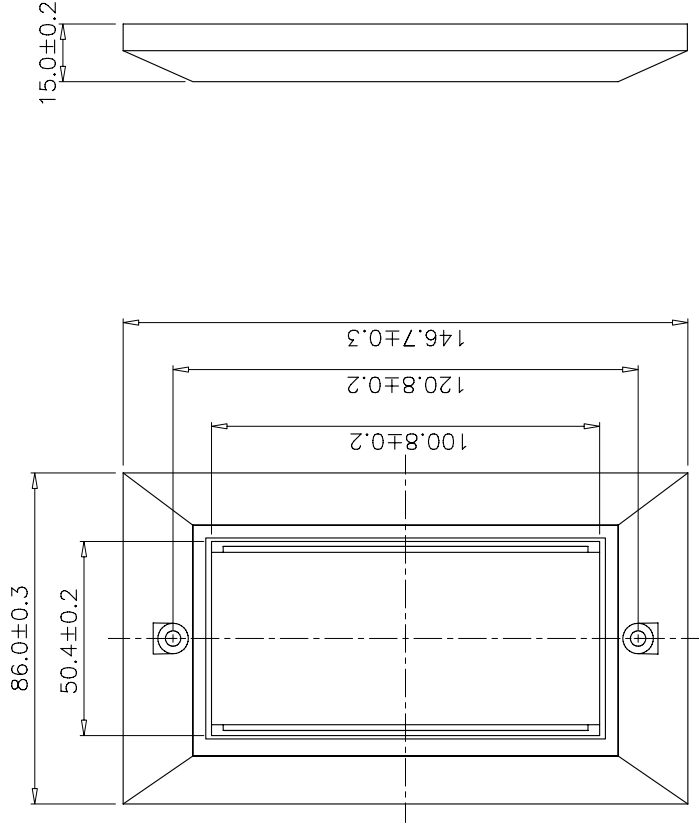


1 2 3 4 5 6

A B C D



SCALE 1/2

Specification :

- Material :
1. Face Plate : ABS, UL 94-HB, with white color.
 2. Screw : M3.5 x L25.0 mm.



GENERAL TOLERANCE OF DIMENSIONS X.XXX ±0.005 X.XX ±0.05 X.X ±0.1	DRAWING	09.AUG.2010	QIQI
	CHECK	09.AUG.2010	JANE
	APPROVAL	09.AUG.2010	JAIMY
SCALE		1/2 (A4)	UNIT mm
DRAWING NO.		AAHRA0100000504 JE303W1-PC(SA4)	
DRAWING CLASSIFICATION		S	SHEET 1 OF 1
ITEM NO.:		72 3381	
DES.:		FACE PLATE 146.0X86.0MM	

10cm 4 5 6