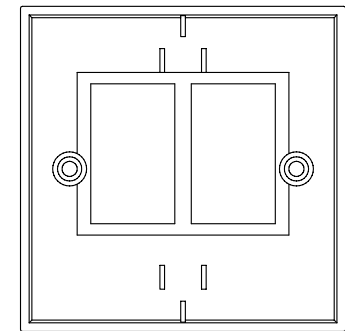
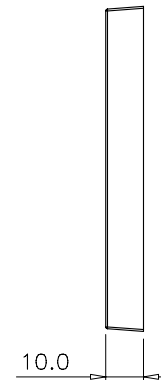
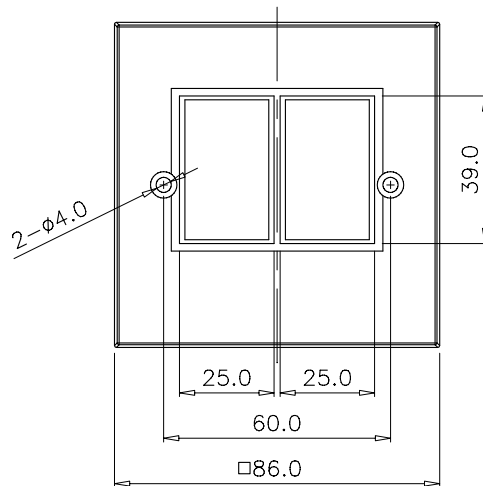


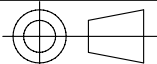
SCALE 1/2



Specification :

Material :

- 1. Plate : ABS, UL 94-HB.
- 2. Screw : M3.5 X L25.0 mm.

	DSGN	Wei	18.JUN.2009	ITEM NO: 72 3371
	CHK	kli	18.JUN.2009	
	UNIT	M/M	APPR	Yty
SCALE	1/4	E.U. 333A Modular Plate, 2 port		
DWG NO: JE314/1	<b>Velocity</b>			