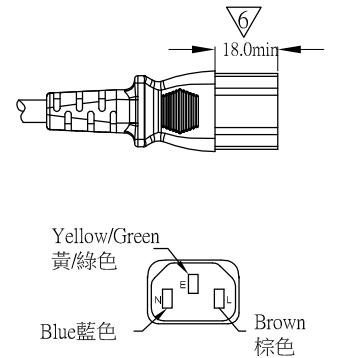
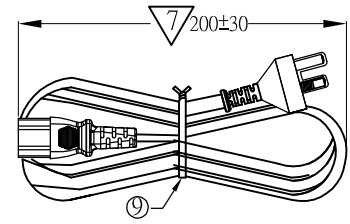
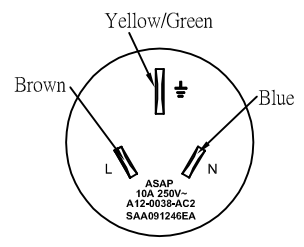
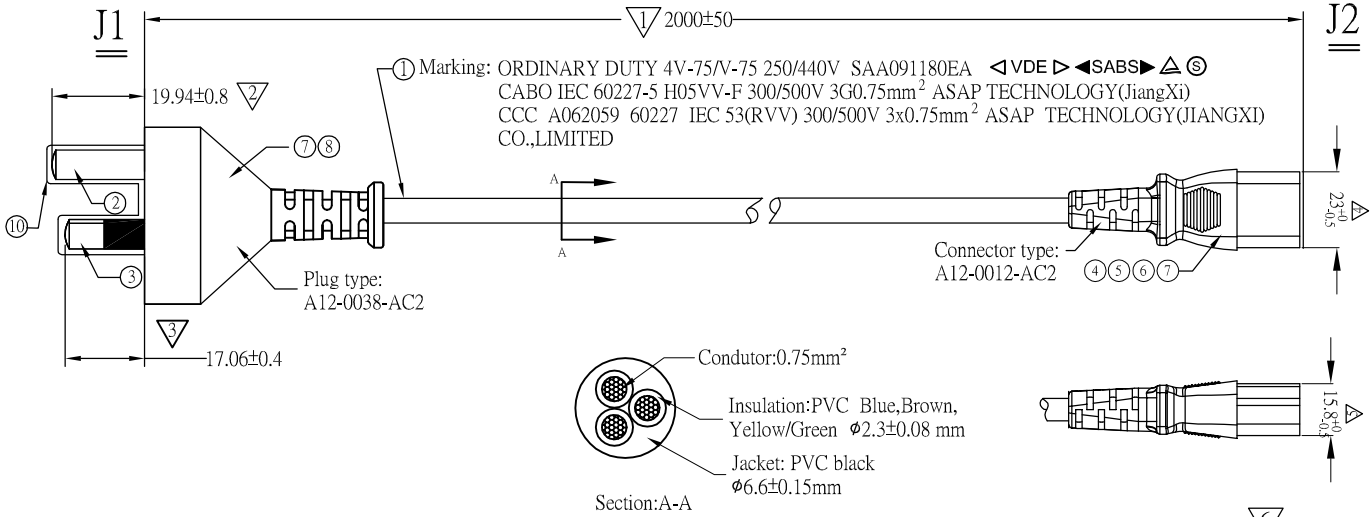


REV.	DESCRIPTION	DESIGN	APPROVAL	DATE
A	NEW	Betty	BG YANG	2014.11.19
B	ECN17-0000001978(Change J2 markings)	Hongmei	XL Deng	2017.01.18
C	Change the customer P/N	DanPeng	XL Deng	2017.07.28

**Technical requirement 技术参数:**

- Electrical Characteristics Test 电气性能检验
  - Products 100% for electrical test. 成品100%电性测试.
  - Insulation resistance: No less than 100MΩ of 500V DC/0.4S.  
绝缘阻抗: 大于或等于100MΩ 500V DC/0.4S.
  - Dielectric strength 耐电压
    - Between two conductors  $2500^{+200}_0$  V AC for 1.0s Trip-current 1.0mA max.  
导体与导体之间  $2500^{+200}_0$  V AC /1秒, 漏电流1.0mA(max).
    - Between conductor and body  $4000^{+200}_0$  V AC for 1.0s - Trip current 1.0mA max.  
导体与本体之间  $4000^{+200}_0$  V AC /1秒, 漏电流1.0mA(max).
- Mechanical Characteristics Test 机械性能检验
  - Withdrawal force 拔出力
    - For checking each PIN independently from the standard-gauge below 1.5N(Min) Keep for 3S or more.  
标准量规对连接器插孔单PIN保持力为最小1.5N保持3秒以上.
    - For checking Integral withdrawal force 50N(Max) from maximum standard gauge. 标准量规(最大值)检查整体拔出力 50N(最大).
- Finished product conditions 成品状态
  - The attachment plug front show the test mark of "T".  
插头主视面须有测试标志"T".
  - The dimension with "▽" must be control and inspected importantly.  
带"▽"尺寸需重点管控和检验.
- Standards 标准
  - The cord shall comply with AS/NZS 3191. 线材符合AS/NZS 3191
  - The molded plug shall comply with AS/NZS 3112. 插头符合AS/NZS 3112.
  - The molded connector shall comply with IEC60320-1. 连接器符合IEC60320-1
- Environmental requirement 环保要求
  - Material and product comply with Doc No. "QW-Q-043" 《material-and product- of restricted substance control specification.  
物料及成品必须符合QW-Q-043 《材料与成品限用物质管理规范》.



**Wiring method 接线方式:**

- |    |                   |    |
|----|-------------------|----|
| J1 | cord              | J2 |
| E  | Yellow/Green 黄/绿色 | E  |
| L  | Brown 棕色          | L  |
| N  | Blue 蓝色           | N  |

Marking details J1 see the second page (J1端标志详见第二页)

Marking details J2 see the second page (J2端标志详见第二页)

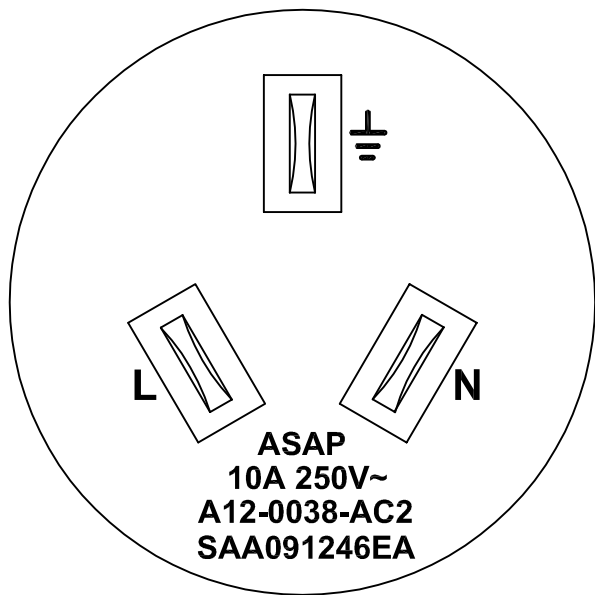
ITEM	NAME	DESCRIPTION	Q'TY	UNIT
⑩	PIN COVER	Protecting cover for plug pins, white	PCS	1
⑨	TIE	Black PE tie meeting RoHS.	PCS	1
⑧	HOLDER	Holder for SAA plug 10A, white.	PCS	1
⑦	PVC PELLETT	55P black PVC pellets meeting RoHS, UL94 V-0.	G	
⑥	TERMINAL	U type contact terminal with wing for C13 connector. Copper	PCS	3
⑤	HOUSING	Down cover of C13, PBT material, white	PCS	1
④	HOUSING	Upper cover of C13, PBT material, white	PCS	1
③	BLADE	Blade of SAA plug, nickel-plated copper	PCS	2
②	BLADE	Long blade of SAA plug, nickel-plated copper	PCS	1
①	POWER CORD	H05VV-F 3G0.75mm <sup>2</sup> Black.	MM	

X.±	X.°±
.X±	.X°±
.XX±	.XX°±
.XXX±	.XXX°±
UNITS	mm

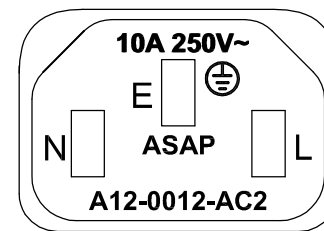
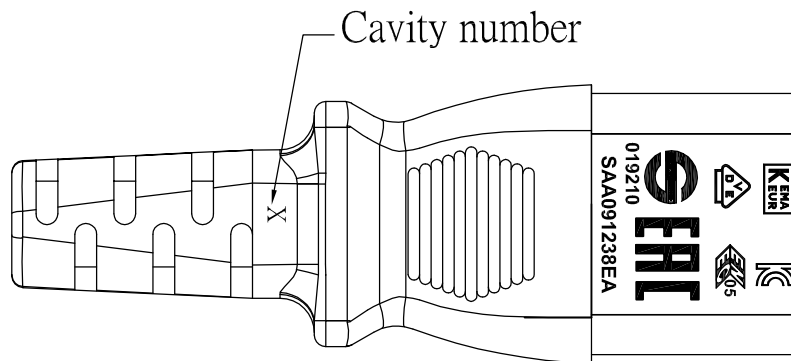
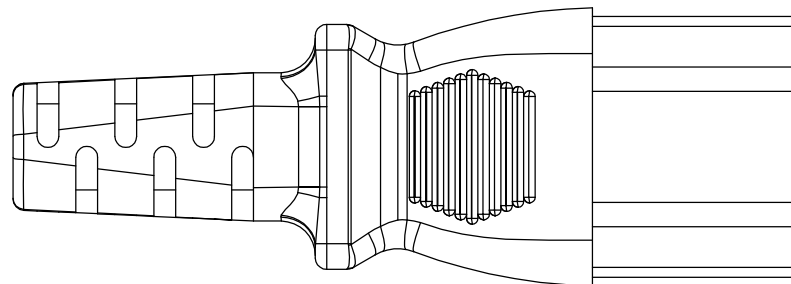
**Cablenet P/N: 42-2596**

PART NO: L8CAC023-QT-R		TITLE: SAA 3P To C13 L2m Black		
APPD: Baogen Yang		DWG NO: ACRDN14110030		
CHKD: Guangren Ouyang		SCALE NONE	SHEET 1/2	REV. C
DRAW: Betty Zou				

THESE DRAWINGS AND SPECIFICATIONS ARE THE PROPERTY OF LUXSHARE-ICT AND SHALL NOT BE REPRODUCED, COPIED OR CUED IN ANY MANNER WITHOUT THE PRIOR WRITTEN CONSENT OF LUXSHARE-ICT



J1 Marking  
J1端標誌



J2 Marking  
J2端標誌

X.±	X.°±
.X±	.X°±
.XX±	.XX°±
.XXX±	.XXX°±
UNITS	mm

THESE DRAWINGS AND SPECIFICATIONS ARE THE PROPERTY OF LUXSHARE-ICT AND SHALL NOT BE REPRODUCED, COPIED OR CUED IN ANY MANNER WITHOUT THE PRIOR WRITTEN CONSENT OF LUXSHARE-ICT

### Cablenet P/N: 42-2596

PART NO: L8CAC023-QT-R		TITLE: SAA 3P To C13 L2m Black			
APPD: Baogen Yang		DWG NO: ACRDN14110030			
CHKD: Guangren Ouyang			SCALE	SHEET	REV.
DRAW: Betty Zou			NONE	2/2	C