

Technical requirement 技术参数:

1. Electrical Characteristics Test 电气性能检验

- 1.1 Products 100% for electrical test. 成品100%电性测试.
- 1.2 Insulation resistance: No less than 100MΩ of 500V DC /0.4s.
绝缘阻抗: 大于或等于100MΩ 500V DC /0.4s.
- 1.3 Dielectric strength 耐电压

- 1.3.1 Between two conductors 2500_{-0}^{+200} V AC for 1.0s Trip-current 1.0mA max.
导体与导体之间 2500_{-0}^{+200} V AC /1秒, 漏电流1.0mA(max).
- 1.3.2 Between conductor and body 4200_{-0}^{+200} V AC for 1.0s - Trip current 1.0mA max.
导体与本体之间 4200_{-0}^{+200} V AC 1秒, 漏电流1.0mA(max).

- 1.4 Earth continuity test: 25 ± 0.75 A/1S, resistance shall ≤ 100 mΩ
接地导通测试: 25 ± 0.75 A/1S, 电阻值 ≤ 100 mΩ

2. Mechanical Characteristics Test 机械性能检验

2.1. Withdrawal force 拔出力

- 2.1.1 For checking each PIN independently from the standard-gauge below 1.5N(Min) Keep for 3S or more.
标准量规对连接器插孔单PIN保持力为最小 1.5N保持3秒以上.
- 2.1.2 For checking Integral withdrawal force 50 N(Max) from maximum standard gauge. 标准量规(最大值)检查整体拔出力 50 N(最大).

3. Finished product conditions 成品状态

- 3.1 The attachment plug front show the test mark of "T".
插头主视面须有测试标志"T".
- 3.2 The dimension with "▽" must be control and inspected importantly.
带"▽"尺寸需重点管控和检验.
- 3.3 The dimension with "*" is required by safety standard.
带"*"尺寸为安规尺寸.

4. Standards 标准

- 4.1 The cord shall comply with IEC 60245-4/DIN VDE 0282-4,
线材须符合 IEC 60245-4/DIN VDE 0282-4.
- 4.2 The molded plug shall comply with BS1363-1. 插头符合 BS1363-1.
- 4.3 The molded connector shall comply with BS EN60320-1.

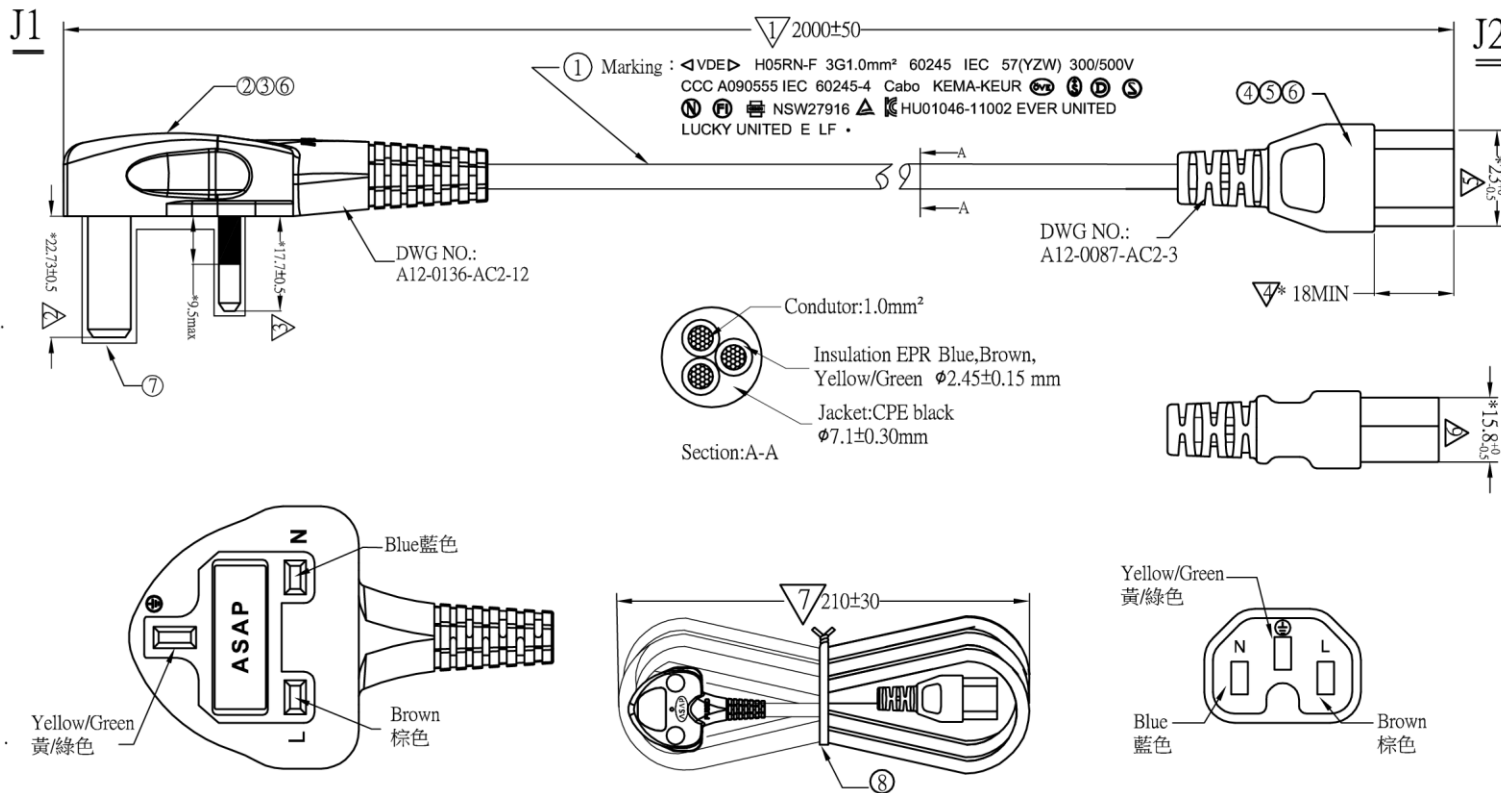
5. Environmental requirement 环保要求

- 5.1 Material and product comply with Doc No."QW-Q-043"《material-and product- of restricted substance control specification.
物料及成品必须符合 QW-Q-043《材料与成品限用物质管理规范》.

Wiring method 接线方式:

J1	cord	J2
E	Yellow/Green	E
L	Brown	L
N	Blue	N

REV.	DESCRIPTION	DESIGN	APPROVAL	DATE
F	ECN18-0000026881(UK 3P改缩小版)	Hongmei	XL Deng	2018.08.02
G	50000031404(remove "S" from CCC mark of the connector, Change the cable marking)	Hongmei Hu	Hongjiang Zhu	2020.08.24
H	500000131545(remove "0025" from GCC mark)	Hongmei Hu	Hongjiang Zhu	2021.07.12



ITEM	NAME	DESCRIPTION	Q'TY	UNIT
⑧	TIE	BLACK PE tie hanking cord and meeting RoHS.	PCS	1
⑦	SLEEVE	Sleeve of plug.	PCS	1
⑥	PLASITC	55P Black PVC pellets meeting RoHS and UL94 V-0.	G	
⑤	HOUSING	Housing of C15, PBT material, Black.	PCS	1
④	HOLDER	Holder of C15, phosphor copper, white PBT material.	PCS	1
③	FUSE	13A fuse, comply with BS 1362.	PCS	1
②	INSERT	UK fuse plug insert with grounding, black	PCS	1
①	POWER CORD	H05RN-F 3G1.0mm² Black	MM	

X.±	X.°±
.X±	.X°±
.XX±	.XX°±
.XXX±	.XXX°±
UNITS	mm

P/N:42-0545

PART NO: L8CAC035-QT-N	TITLE: UK 13A Plug TO C15 L2.0m black
APPD: Hongjiang Zhu	DWG NO: ACRDN15050017-001
CHKD: Guangren Ouyang	
DRAW: Hongmei Hu	
	SCALE SHEET REV. NONE 1/1 H

8

7

6

5

4

3

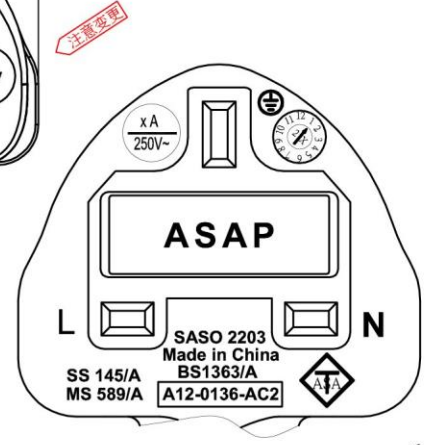
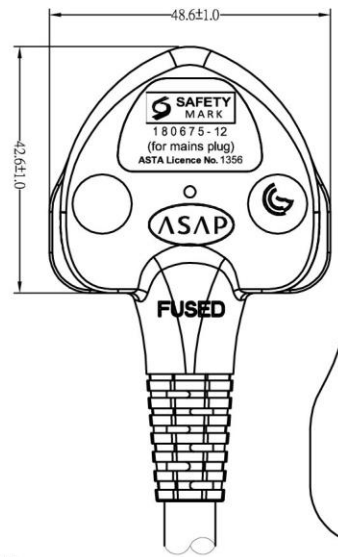
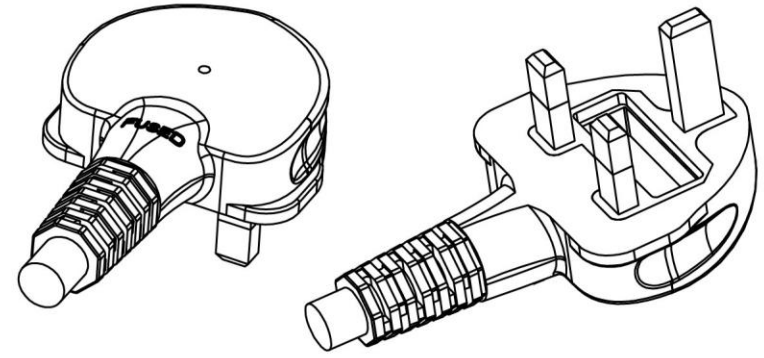
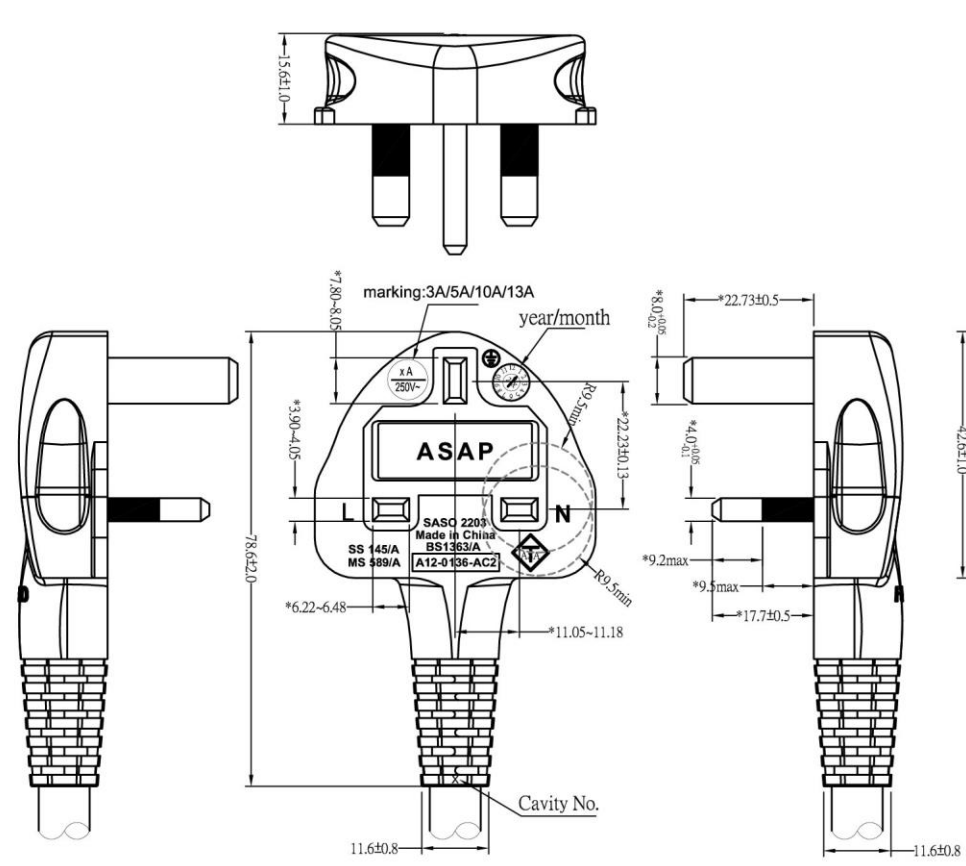
2

1

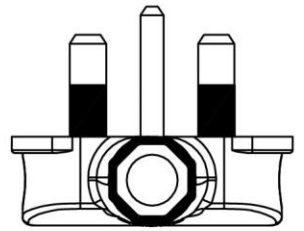
NOTE:
 Technical Requirement: The dimension with " * " is for safety standard.

大主体图

REV.	DESCRIPTION	DESIGN	APPROVAL	DATE
A	NEW	JING LIU	QS LIU	2017.9.27
B	Change the GSO logo	FG HU	QS LIU	2020.08.06



marking

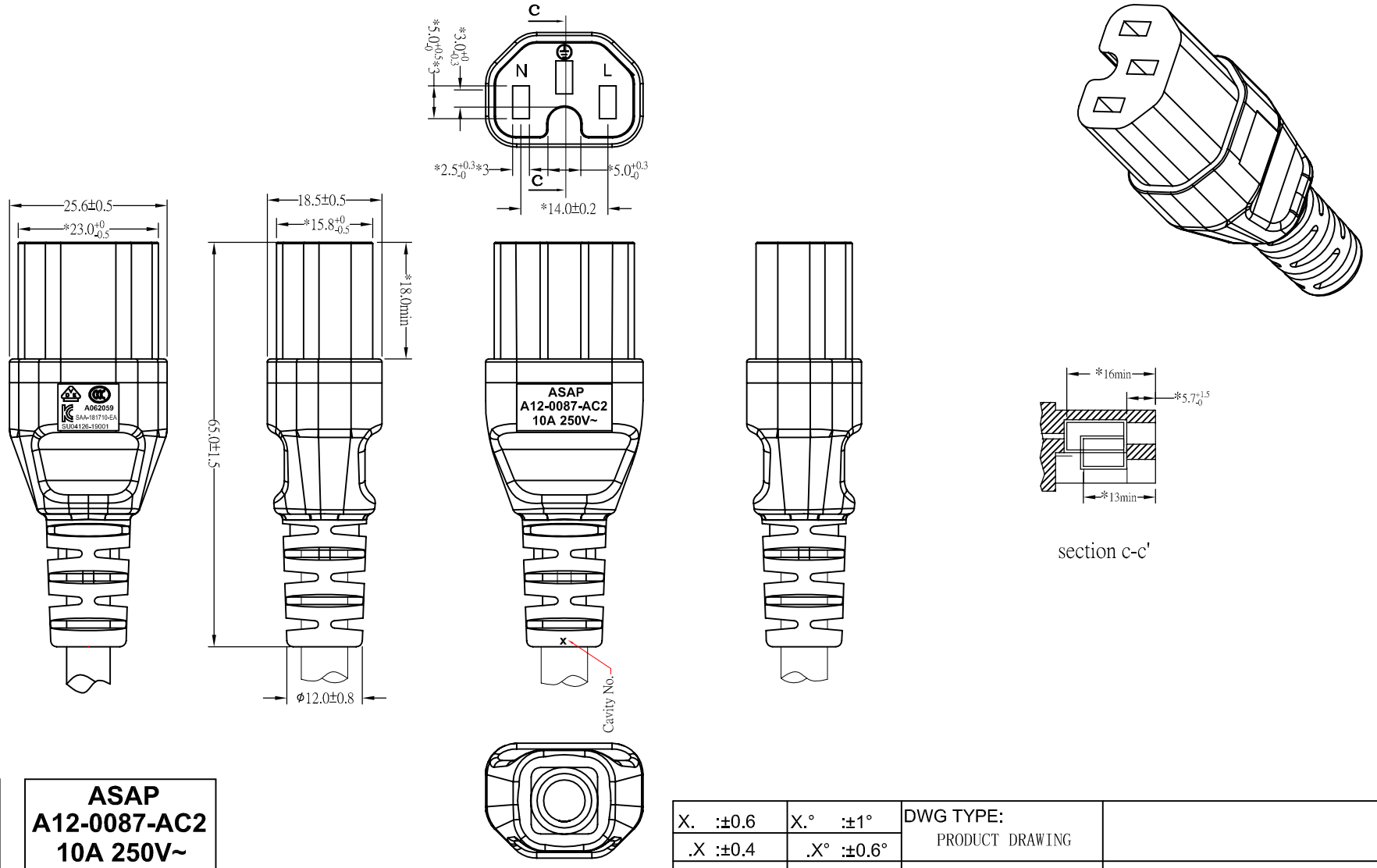



X. :±0.6	X.° :±1°	DWG TYPE: PRODUCT DRAWING			
.X :±0.4	.X° :±0.6°	MOUID NO: AC-P0136-x	TITLE: U.K Three pin Plug		
.XX:±0.10	.XX°:±0.3°	UNITS mm	DWG NO: A12-0136-AC2-12		
		APPD: 朱红江	SCALE SHEET REV. NONE 1/1 B		
		CHKD: 刘秋顺			
		DRAW: 胡方刚			

NO.	SPECIFICATION	Remark
1	H05RN-F 3x1.0mm ² OD:7.2	Round Cable

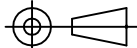
NOTE:
 Technical Requirement: The dimension with " * " is for safety standard.

REV.	DESCRIPTION	DESIGN	APPROVAL	DATE
A	NEW	JING LIU	QS LIU	2017.9.27




ASAP
A12-0087-AC2
10A 250V~

Marking

X. :±0.6	X.° :±1°	DWG TYPE: PRODUCT DRAWING	
.X :±0.4	.X° :±0.6°		
.XX:±0.10	.XX°:±0.3°	MOUID NO: AC-C0087-x	TITLE: CCC/VE C15 CONNECTOR
UNITS	mm		
		APPD: Hongjiang Zhu	DWG NO: A12-0087-AC2-3
		CHKD: Guangren Ouyang	
		DRAW: Hongmei Hu	
			SCALE SHEET REV. NONE 1/1 A

NO.	SPECIFICATION	Remark
1	H05RN-F 3*1.0 OD:7.2	Round Cable