

8 7 6 5 4 3 2 1

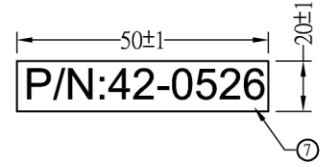
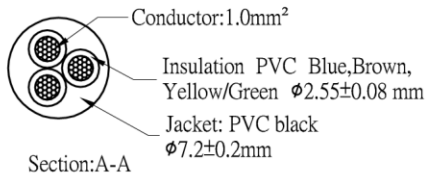
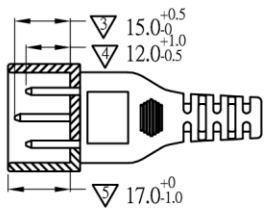
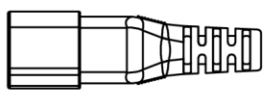
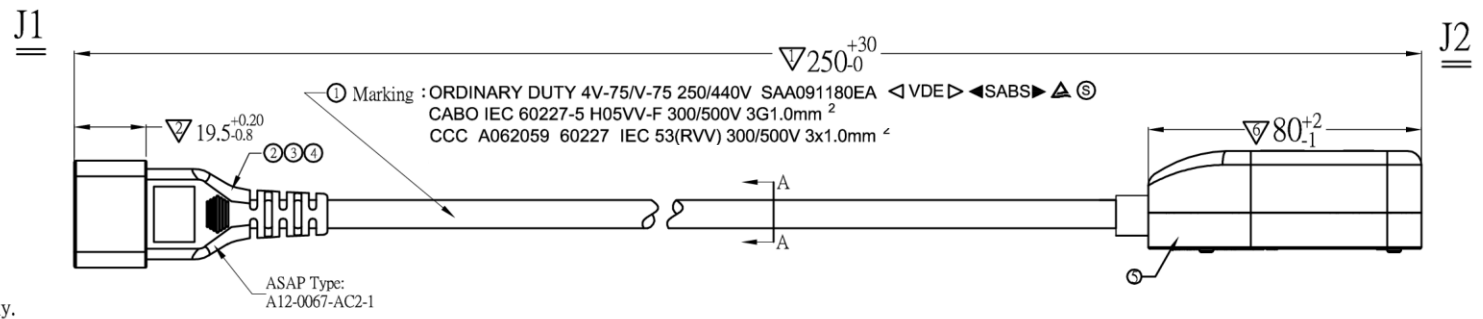
Technical requirement 技术参数：
1. Electrical Characteristics Test 电气性能检验

- 1.1 Products 100% for electrical test. 成品100%电性测试。
- 1.2 Insulation resistance: No less than 100MΩ of 500V DC/0.4s
绝缘阻抗: 大于或等于100MΩ 500V DC/0.4s
- 1.3 Dielectric strength 耐电压
 - 1.3.1 Between two conductors 2500^{+200}_0 V AC for 1.0s Trip-current 1.0mA max.
导体与导体之间 2500^{+200}_0 V AC /1秒, 漏电流 1.0mA(max).
 - 1.3.2 Between conductor and body 4200^{+200}_0 V AC for 1.0s - Trip current 1.0mA max.
导体与本体之间 4200^{+200}_0 V AC /1秒, 漏电流 1.0mA(max).

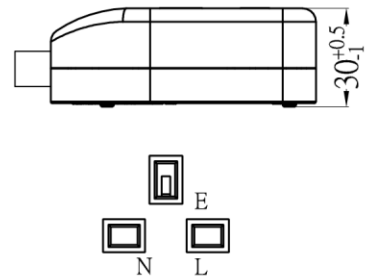
- 2. Finished product conditions 成品状态
 - 2.1 The attachment plug front show the test mark of "T".
插头主视面须有测试标志"T".
 - 2.2 The dimension with "∇" must be control and inspected importantly.
带"∇"尺寸需重点管控和检验.
 - 2.3 material and product comply with Doc No."QW-Q-043" 《material-and product-of restricted substance control specification.
物料及成品必须符合QW-Q-043 《材料与成品限用物质管理规范》.

- 3. Standards 标准
 - 3.1 The cord shall comply with VDE 0281-5 HD21.5.IEC60227
线材符合VDE 0281-5 HD21.5 IEC60227
 - 3.2 The socket-outlet shall comply with BS 1363-1:1995 and BS16363-2:1995.
插板须符合BS 1363-1:1995和BS16363-2:1995.
 - 3.3 The connector shall comply with IEC60320.
连接器须符合IEC60320.

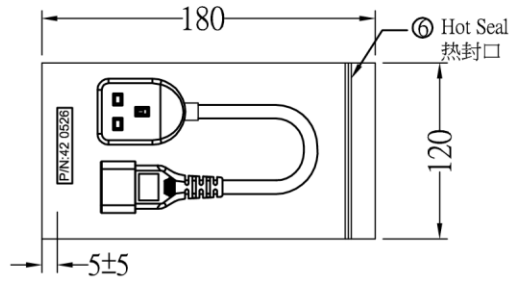
Wiring method :
J1 cord J2
E — Yellow/Green — E
L — Brown — L
N — Blue — N



NOTES:(注释)
1.材質:铜板纸,白底黑字,
2.字体大小: Arial,加粗,43号



Marking details J2 see the second page
J2端标志详见第二页



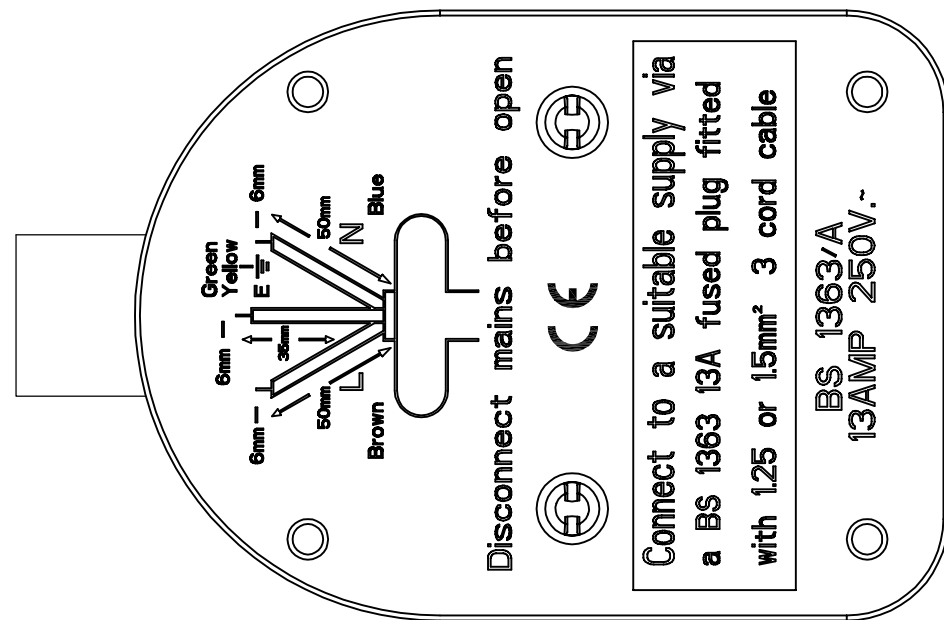
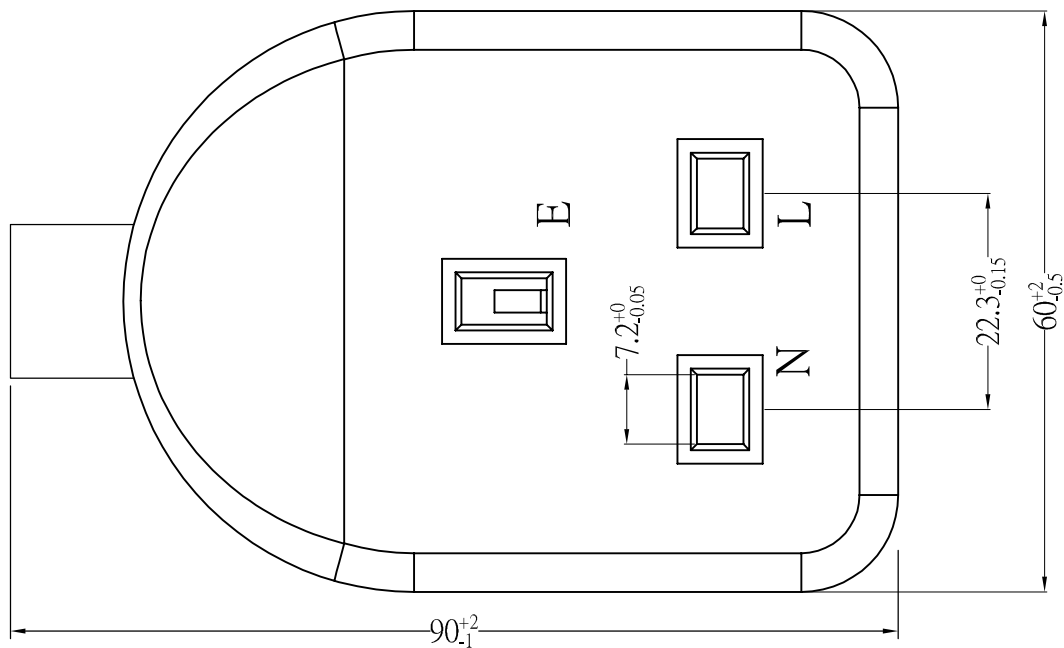
A

| ITEM | NAME | DESCRIPTION | UNIT | QTY |
|------|-----------------|--|------|-----|
| ⑦ | Label | Type L 50 × W20 Label | pcs | 1 |
| ⑥ | PE BAG | Type L 180 × W120 PE bag | pcs | 1 |
| ⑤ | Socket assembly | UK 1 gang socket assembly | pcs | 1 |
| ④ | PLASITC | 55P BLACK PVC pellets meeting RoHS and UL94 V-0. | g | |
| ③ | HOLDER | Holder ,PBT material, black. | pcs | 1 |
| ② | BLADE | Blade 2x4mm, copper,nickel-plated | pcs | 3 |
| ① | POWER CORD | H05VV-F 3X1.0mm2,BLACK | mm | NA |

| X.± | X.°± | UNITS |
|-------|--------|--------|
| .X± | .X°± | mm |
| .XX± | .XX°± | MATL |
| .XXX± | .XXX°± | |
| | | FINISH |
| | | Q'TY |

| Cablenet P/N:42-0526 | | | |
|---------------------------|--|---|-------|
| PART NO: L8CAC021-QT-R | | TITLE: IEC C14 To 1Gang UK Socket-outlet L=0.25m Black | |
| APPD: Hongjiang Zhu | | DWG NO: ACRDN14100074 | |
| CHKD: Guangren Ouyang | | | |
| DR: Hongmei Hu | | SCALE | SHEET |
| | | NONE | 1/2 |
| | | REV. | E |

8 7 6 5 4 3 2 1



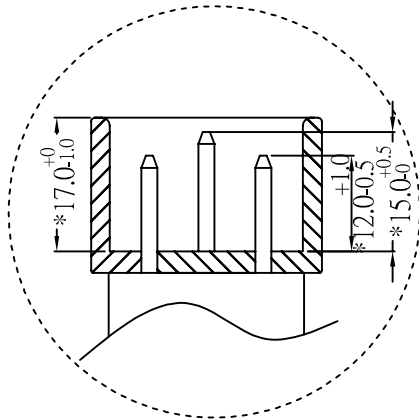
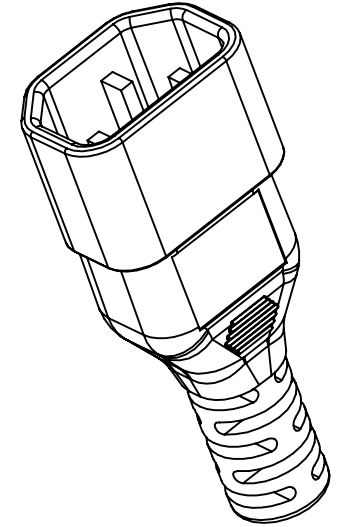
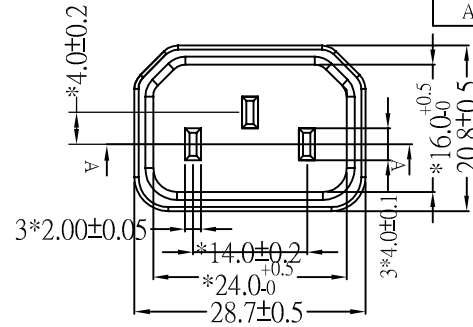
J2Marking
J2端標誌

| | | | | | | | |
|-------|--------|--------|-----------------------|-----------------------------|-------|-------|------|
| X.± | X.°± | UNITS | Cablenet P/N:42-0526 | | | | |
| .X± | .X°± | | | | | mm | |
| .XX± | .XX°± | MATL | PART NO: | TITLE: IEC C14 To 1Gang UK | | | |
| .XXX± | .XXX°± | | L8CAC021-QT-R | Socket-outlet L=0.25m Black | | | |
| | | FINISH | APPD: XL Deng | DWG NO: | | | |
| | | | CHKD: Guangren Ouyang | ACRDN14100074 | | | |
| | | Q'TY | DR: Hongmei Hu | | SCALE | SHEET | REV. |
| | | | | | NONE | 2/2 | E |

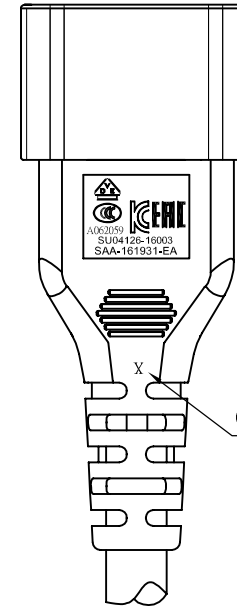
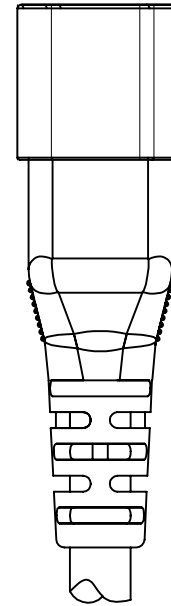
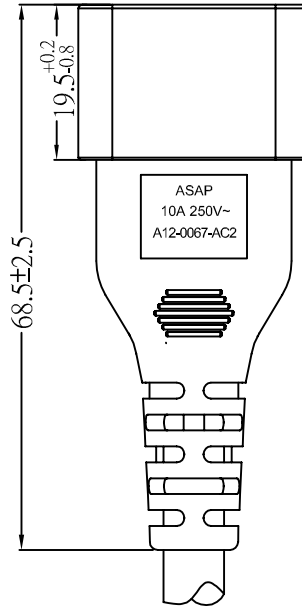
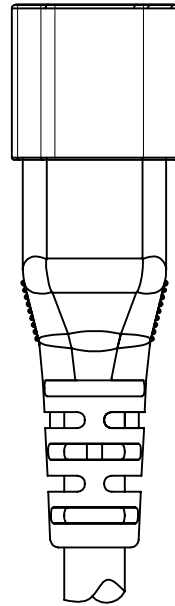
NOTE:

Technical Requirement: The dimension with " * " is for safety standard.

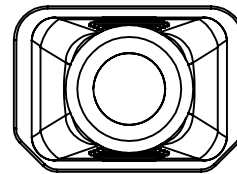
| REV. | DESCRIPTION | DESIGN | APPROVAL | DATE |
|------|-------------|--------|----------|------------|
| A | NEW | FG HU | QS LIU | 2020.02.15 |



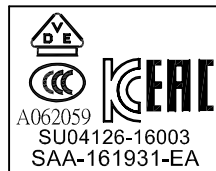
section A-A



Cavity No.



ASAP
10A 250V~
A12-0067-AC2



注意变更

Marking

| X. :±0.6 | X.° :±1° | DWG TYPE: PRODUCT DRAWING | | | | | | | | | |
|-----------|------------|------------------------------|---|--|--|-------|-------|------|------|-----|---|
| .X :±0.4 | .X° :±0.6° | MOUID NO: AC-C0067-x | TITLE: CCC/VDE C14 | | | | | | | | |
| .XX:±0.10 | .XX°:±0.3° | UNITS mm | DWG NO: A12-0067-AC2-1 | | | | | | | | |
| | | APPD: 朱红江 | <table border="1"> <tr> <th>SCALE</th> <th>SHEET</th> <th>REV.</th> </tr> <tr> <td>NONE</td> <td>1/1</td> <td>A</td> </tr> </table> | | | SCALE | SHEET | REV. | NONE | 1/1 | A |
| SCALE | SHEET | REV. | | | | | | | | | |
| NONE | 1/1 | A | | | | | | | | | |
| | | CHKD: 刘秋顺 | | | | | | | | | |
| | | DRAW: 胡方刚 | | | | | | | | | |

| NO. | SPECIFICATION | Remark |
|-----|-------------------------------------|-------------|
| 1 | H05VV-F 3×1.0mm ² Ø7.2mm | Round Cable |